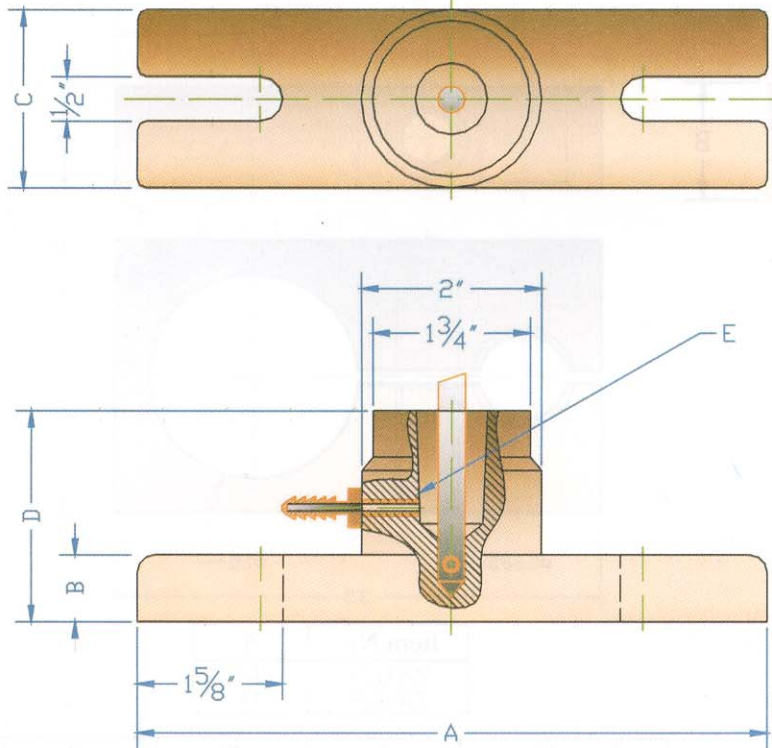


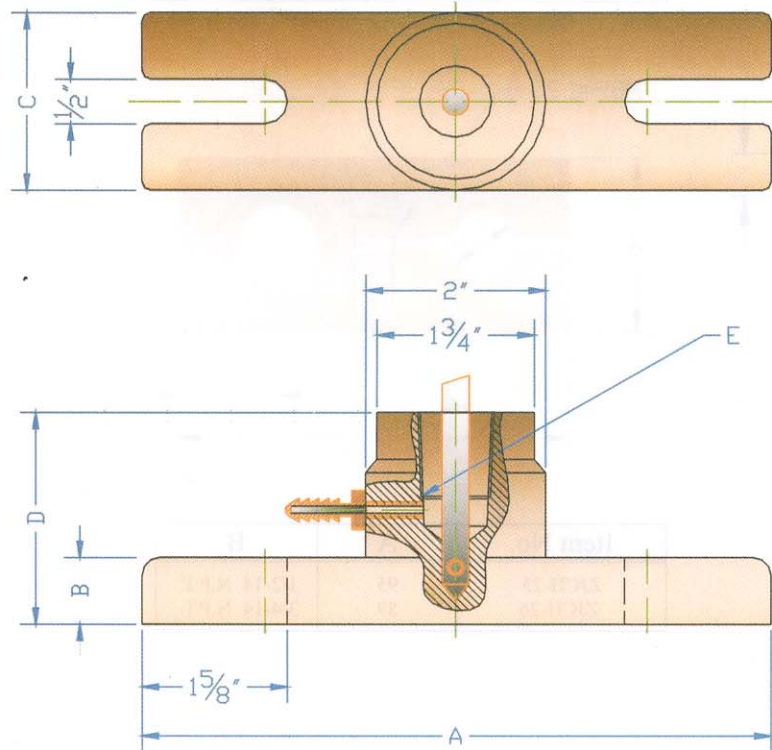
TAPER HOLDER



Item No.	A	B	C	D	E
ZJ-750	4 1/4	1/2	1 1/2"	2"	4RW
ZJ-751	4 1/4	1/2	1 1/2"	2"	1/9.6
ZJ-752	4 1/4	1/2	1 1/2"	2"	5RW
ZJ-753	4 1/4	1/2	1 1/2"	2"	1/9.6
ZJ-754	4 1/4	1/2	1 1/2"	2"	6RW
ZJ-755	4 1/4	1/2	1 1/2"	2"	1/9.6
ZJ-756	4 1/4	1/2	1 1/2"	2"	7RW
ZJ-757	7"	3/4	2"	2 3/8	4RW
ZJ-758	7"	3/4	2"	2 3/8	1/9.6
ZJ-759	7"	3/4	2"	2 3/8	5RW
ZJ-760	7"	3/4	2"	2 3/8	1/9.6
ZJ-761	7"	3/4	2"	2 3/8	6RW
ZJ-762	7"	3/4	2"	2 3/8	1/9.6
ZJ-763	7"	3/4	2"	2 3/8	7RW

ADDITIONAL SIZES AVAILABLE UPON YOUR REQUEST

THREADED HOLDER



Item No.	A	B	C	D	E
ZJ-763	4 1/4"	1/2	1 1/2"	1 3/4	1/2 NPT
ZJ-764	4 1/4"	1/2	1 1/2"	1 3/4	5/8 NPT
ZJ-765	4 1/4"	1/2	1 1/2"	1 3/4	3/4 NPT
ZJ-766	4 1/4"	1/2	1 1/2"	1 3/4	7/8 NPT
ZJ-767	4 1/4"	1/2	1 1/2"	1 3/4	1-14 NPT
ZJ-768	4 1/4"	1/2	1 1/2"	1 3/4	5/8-11NC
ZJ-769	4 1/4"	1/2	1 1/2"	1 3/4	3/4-10 NC
ZJ-770	4 1/4"	1/2	1 1/2"	1 3/4	7/8-9 NC
ZJ-771	7"	3/4	2"	2 3/8	1/2 NPT
ZJ-772	7"	3/4	2"	2 3/8	5/8 NPT
ZJ-773	7"	3/4	2"	2 3/8	3/4 NPT
ZJ-774	7"	3/4	2"	2 3/8	7/8 NPT
ZJ-775	7"	3/4	2"	2 3/8	1-14 NPT
ZJ-776	7"	3/4	2"	2 3/8	5/8-11NC
ZJ-777	7"	3/4	2"	2 3/8	3/4-10NC
ZJ-778	7"	3/4	2"	2 3/8	7/8-9NC

ADDITIONAL SIZES AVAILABLE UPON YOUR REQUEST