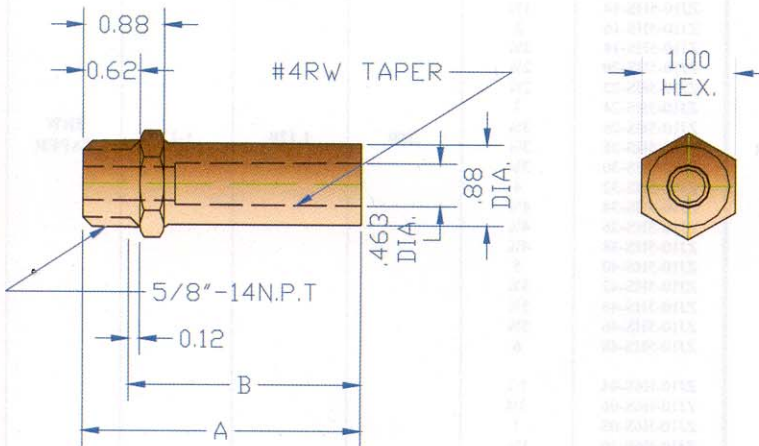


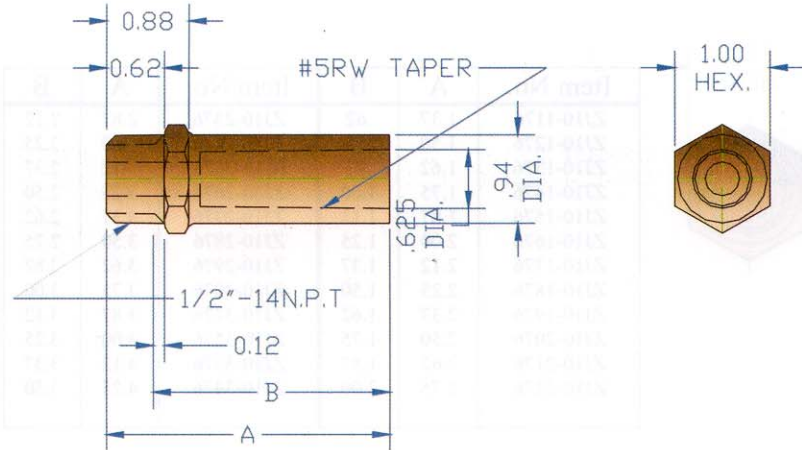
Item No.	A	B	Item No.	A	B
ZJ08-0754	.87	.37	ZJ08-2254	2.75	2.25
ZJ08-0854	1.00	.50	ZJ08-2354	2.87	2.37
ZJ08-0954	1.12	.62	ZJ08-2454	3.00	2.50
ZJ08-1054	1.25	.75	ZJ08-2554	3.12	2.62
ZJ08-1154	1.37	.87	ZJ08-2654	3.25	2.75
ZJ08-1254	1.50	1.00	ZJ08-2754	3.37	2.87
ZJ08-1354	1.62	1.12	ZJ08-2854	3.50	3.00
ZJ08-1454	1.75	1.25	ZJ08-2954	3.62	3.12
ZJ08-1554	1.87	1.37	ZJ08-3054	3.75	3.25
ZJ08-1654	2.00	1.50	ZJ08-3154	3.87	3.37
ZJ08-1754	2.12	1.62	ZJ08-3254	4.00	3.50
ZJ08-1854	2.25	1.75	ZJ08-3354	4.12	3.62
ZJ08-1954	2.37	1.87	ZJ08-3454	4.25	3.75
ZJ08-2054	2.50	2.00	ZJ08-3554	4.37	3.87
ZJ08-2154	2.62	2.12	ZJ08-3654	4.50	4.00

LONGER ADAPTERS CAN ALSO BE SUPPLIED
 ADAPTERS WITH 1 / 9.6 TAPER ARE AVAILABLE IN ALL SIZES



Item No.	A	B	Item No.	A	B
ZJ08-0764	.87	.37	ZJ08-2264	2.75	2.25
ZJ08-0864	1.00	.50	ZJ08-2364	2.87	2.37
ZJ08-0964	1.12	.62	ZJ08-2464	3.00	2.50
ZJ08-1064	1.25	.75	ZJ08-2564	3.12	2.62
ZJ08-1164	1.37	.87	ZJ08-2664	3.25	2.75
ZJ08-1264	1.50	1.00	ZJ08-2764	3.37	2.87
ZJ08-1364	1.62	1.12	ZJ08-2864	3.50	3.00
ZJ08-1464	1.75	1.25	ZJ08-2964	3.62	3.12
ZJ08-1564	1.87	1.37	ZJ08-3064	3.75	3.25
ZJ08-1664	2.00	1.50	ZJ08-3164	3.87	3.37
ZJ08-1764	2.12	1.62	ZJ08-3264	4.00	3.50
ZJ08-1864	2.25	1.75	ZJ08-3364	4.12	3.62
ZJ08-1964	2.37	1.87	ZJ08-3464	4.25	3.75
ZJ08-2064	2.50	2.00	ZJ08-3564	4.37	3.87
ZJ08-2164	2.62	2.12	ZJ08-3664	4.50	4.00

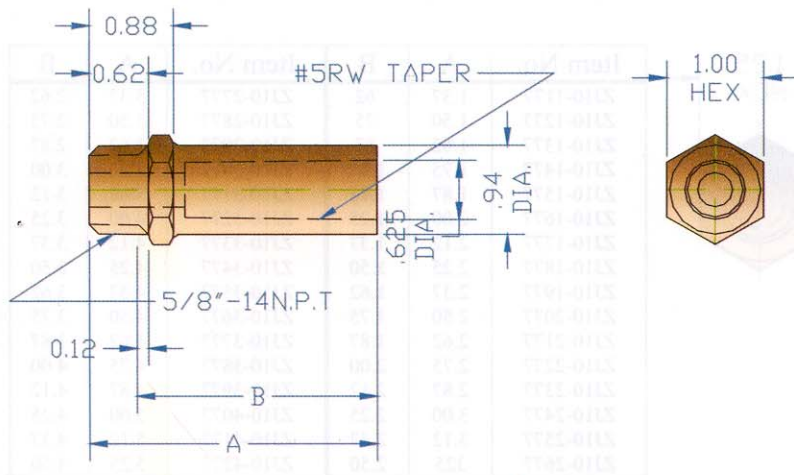
LONGER ADAPTERS CAN ALSO BE SUPPLIED
 ADAPTERS WITH 1 / 9.6 TAPER ARE AVAILABLE IN ALL SIZES



Item No.	A	B	Item No.	A	B
ZJ08-0755	.87	.37	ZJ08-2055	2.50	2.00
ZJ08-0855	1.00	.50	ZJ08-2155	2.62	2.12
ZJ08-0955	1.12	.62	ZJ08-2255	2.75	2.25
ZJ08-1055	1.25	.75	ZJ08-2355	2.87	2.37
ZJ08-1155	1.37	.87	ZJ08-2455	3.00	2.50
ZJ08-1255	1.50	1.00	ZJ08-2555	3.12	2.62
ZJ08-1355	1.62	1.12	ZJ08-2655	3.25	2.75
ZJ08-1455	1.75	1.25	ZJ08-2755	3.37	2.87
ZJ08-1555	1.87	1.37	ZJ08-2855	3.50	3.00
ZJ08-1655	2.00	1.50	ZJ08-2955	3.62	3.12
ZJ08-1755	2.12	1.62	ZJ08-3055	3.75	3.25
ZJ08-1855	2.25	1.75	ZJ08-3155	3.87	3.37
ZJ08-1955	2.37	1.87	ZJ08-3255	4.00	3.50

LONGER ADAPTERS CAN ALSO BE SUPPLIED

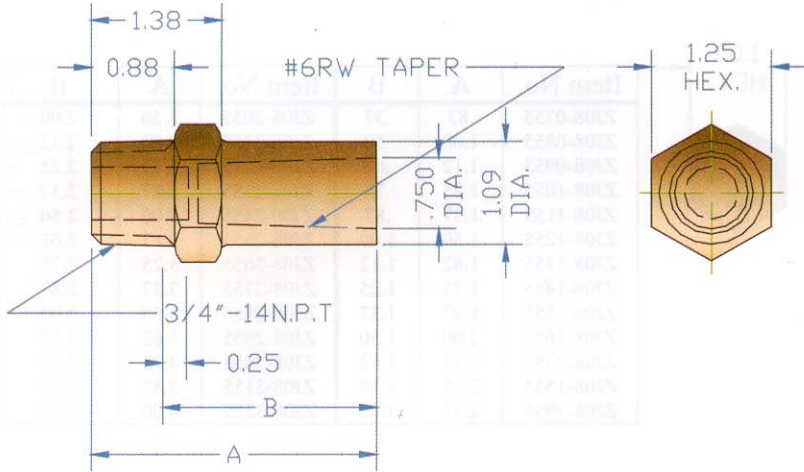
ADAPTERS WITH 1 / 9.6 TAPER ARE AVAILABLE IN ALL SIZES



Item No.	A	B	Item No.	A	B
ZJ08-0765	.87	.38	ZJ08-2165	2.62	2.12
ZJ08-0865	1.00	.50	ZJ08-2265	2.75	2.25
ZJ08-0965	1.12	.62	ZJ08-2365	2.87	2.37
ZJ08-1065	1.25	.75	ZJ08-2465	3.00	2.50
ZJ08-1165	1.37	.87	ZJ08-2565	3.12	2.62
ZJ08-1265	1.50	1.00	ZJ08-2665	3.25	2.75
ZJ08-1365	1.62	1.12	ZJ08-2765	3.37	2.87
ZJ08-1465	1.75	1.25	ZJ08-2865	3.50	3.00
ZJ08-1565	1.87	1.37	ZJ08-2965	3.62	3.12
ZJ08-1665	2.00	1.50	ZJ08-3065	3.75	3.25
ZJ08-1765	2.12	1.62	ZJ08-3165	3.87	3.37
ZJ08-1865	2.25	1.75	ZJ08-3265	4.00	3.50
ZJ08-1965	2.37	1.87	ZJ08-3365	4.12	3.62
ZJ08-2065	2.50	2.00	ZJ08-3465	4.25	3.75

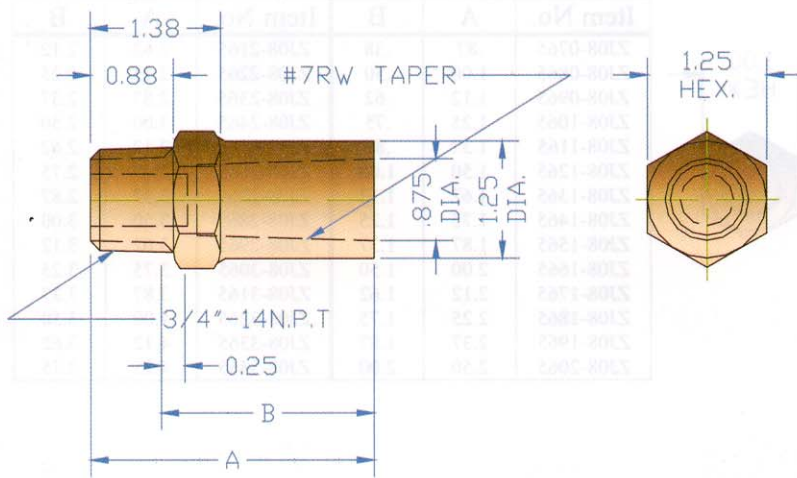
LONGER ADAPTERS CAN ALSO BE SUPPLIED

ADAPTERS WITH 1 / 9.6 TAPER ARE AVAILABLE IN ALL SIZES



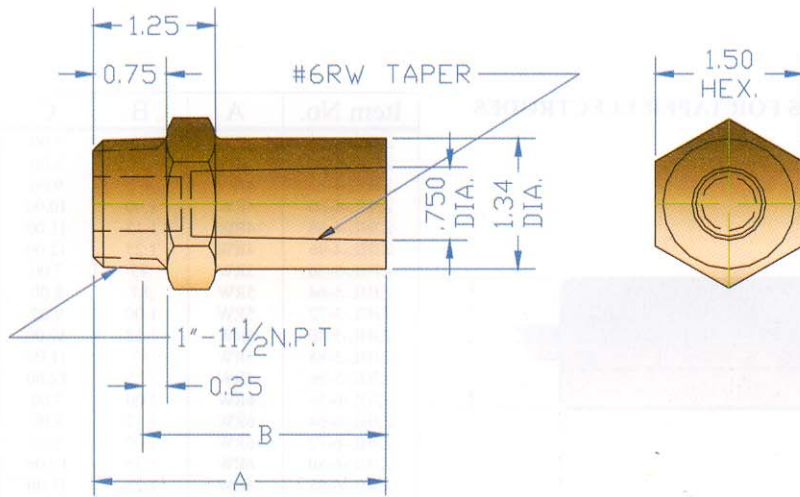
Item No.	A	B	Item No.	A	B
ZJ10-1176	1.37	.62	ZJ10-2376	2.87	2.12
ZJ10-1276	1.50	.75	ZJ10-2476	3.00	2.25
ZJ10-1376	1.62	.87	ZJ10-2576	3.12	2.37
ZJ10-1476	1.75	1.00	ZJ10-2676	3.25	2.50
ZJ10-1576	1.87	1.12	ZJ10-2776	3.37	2.62
ZJ10-1676	2.00	1.25	ZJ10-2876	3.50	2.75
ZJ10-1776	2.12	1.37	ZJ10-2976	3.62	2.87
ZJ10-1876	2.25	1.50	ZJ10-3076	3.75	3.00
ZJ10-1976	2.37	1.62	ZJ10-3176	3.87	3.12
ZJ10-2076	2.50	1.75	ZJ10-3276	4.00	3.25
ZJ10-2176	2.62	1.87	ZJ10-3376	4.12	3.37
ZJ10-2276	2.75	2.00	ZJ10-3476	4.25	3.50

LONGER ADAPTERS CAN ALSO BE SUPPLIED
 ADAPTERS WITH 1 / 9.6 TAPER ARE AVAILABLE IN ALL SIZES



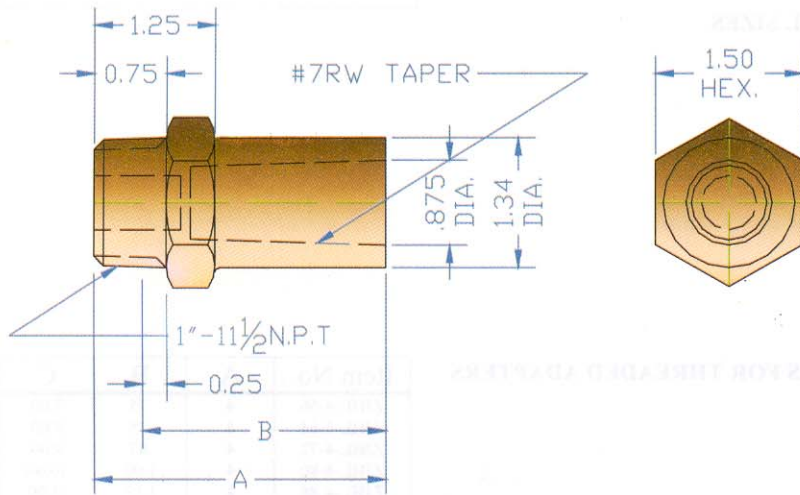
Item No.	A	B	Item No.	A	B
ZJ10-1177	1.37	.62	ZJ10-2777	3.37	2.62
ZJ10-1277	1.50	.75	ZJ10-2877	3.50	2.75
ZJ10-1377	1.62	.87	ZJ10-2977	3.62	2.87
ZJ10-1477	1.75	1.00	ZJ10-3077	3.75	3.00
ZJ10-1577	1.87	1.12	ZJ10-3177	3.87	3.12
ZJ10-1677	2.00	1.25	ZJ10-3277	4.00	3.25
ZJ10-1777	2.12	1.37	ZJ10-3377	4.12	3.37
ZJ10-1877	2.25	1.50	ZJ10-3477	4.25	3.50
ZJ10-1977	2.37	1.62	ZJ10-3577	4.37	3.62
ZJ10-2077	2.50	1.75	ZJ10-3677	4.50	3.75
ZJ10-2177	2.62	1.87	ZJ10-3777	4.62	3.87
ZJ10-2277	2.75	2.00	ZJ10-3877	4.75	4.00
ZJ10-2377	2.87	2.12	ZJ10-3977	4.87	4.12
ZJ10-2477	3.00	2.25	ZJ10-4077	5.00	4.25
ZJ10-2577	3.12	2.37	ZJ10-4177	5.12	4.37
ZJ10-2677	3.25	2.50	ZJ10-4277	5.25	4.50

LONGER ADAPTERS CAN ALSO BE SUPPLIED
 ADAPTERS WITH 1 / 9.6 TAPER ARE AVAILABLE IN ALL SIZES



Item No.	A	B	Item No.	A	B
ZJ12-1016	1.25	.75	ZJ12-2816	3.50	3.00
ZJ12-1116	1.37	.87	ZJ12-2916	3.62	3.12
ZJ12-1216	1.50	1.00	ZJ12-3016	3.75	3.25
ZJ12-1316	1.62	1.12	ZJ12-3116	3.87	3.37
ZJ12-1416	1.75	1.25	ZJ12-3216	4.00	3.50
ZJ12-1516	1.87	1.37	ZJ12-3316	4.12	3.62
ZJ12-1616	2.00	1.50	ZJ12-3416	4.25	3.75
ZJ12-1716	2.12	1.62	ZJ12-3516	4.37	3.87
ZJ12-1816	2.25	1.75	ZJ12-3616	4.50	4.00
ZJ12-1916	2.37	1.87	ZJ12-3716	4.62	4.12
ZJ12-2016	2.50	2.00	ZJ12-3816	4.75	4.25
ZJ12-2116	2.62	2.12	ZJ12-3916	4.87	4.37
ZJ12-2216	2.75	2.25	ZJ12-4016	5.00	4.50
ZJ12-2316	2.87	2.37	ZJ12-4116	5.12	4.62
ZJ12-2416	3.00	2.50	ZJ12-4216	5.25	4.75
ZJ12-2516	3.12	2.62	ZJ12-4316	5.37	4.87
ZJ12-2616	3.25	2.75	ZJ12-4416	5.50	5.00
ZJ12-2716	3.37	2.87	ZJ12-4516	5.62	5.12

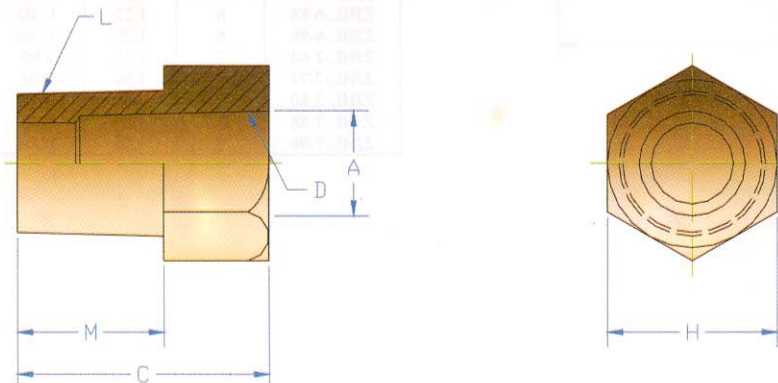
LONGER ADAPTERS CAN ALSO BE SUPPLIED
ADAPTERS WITH 1 / 9.6 TAPER ARE AVAILABLE IN ALL SIZES



Item No.	A	B	Item No.	A	B
ZJ12-1017	1.25	.75	ZJ12-2817	3.50	3.00
ZJ12-1117	1.37	.87	ZJ12-2917	3.62	3.12
ZJ12-1217	1.50	1.00	ZJ12-3017	3.75	3.25
ZJ12-1317	1.62	1.12	ZJ12-3117	3.87	3.37
ZJ12-1417	1.75	1.25	ZJ12-3217	4.00	3.50
ZJ12-1517	1.87	1.37	ZJ12-3317	4.12	3.62
ZJ12-1617	2.00	1.50	ZJ12-3417	4.25	3.75
ZJ12-1717	2.12	1.62	ZJ12-3517	4.37	3.87
ZJ12-1817	2.25	1.75	ZJ12-3617	4.50	4.00
ZJ12-1917	2.37	1.87	ZJ12-3717	4.62	4.12
ZJ12-2017	2.50	2.00	ZJ12-3817	4.75	4.25
ZJ12-2117	2.62	2.12	ZJ12-3917	4.87	4.37
ZJ12-2217	2.75	2.25	ZJ12-4017	5.00	4.50
ZJ12-2317	2.87	2.37	ZJ12-4117	5.12	4.62
ZJ12-2417	3.00	2.50	ZJ12-4217	5.25	4.75
ZJ12-2517	3.12	2.62	ZJ12-4317	5.37	4.87
ZJ12-2617	3.25	2.75	ZJ12-4417	5.50	5.00
ZJ12-2717	3.37	2.87	ZJ12-4517	5.62	5.12

LONGER ADAPTERS CAN ALSO BE SUPPLIED
ADAPTERS WITH 1 / 9.6 TAPER ARE AVAILABLE IN ALL SIZES

MALE TAPER TO FEMALE TAPER ADAPTERS



Item No.	C	D	H	L	M
ZJMT-FT54	1	4RW	7/8	5RW	7/8
ZJMT-FT65	1	5RW	1.00	6RW	7/8
ZJMT-FT75	1 !	5RW	1.00	7RW	1.00
ZJMT-FT76	1 !	6RW	1.00	7RW	1.00
ZJMT-FT45	1 "	5RW	7/8	4RW	7/8
ZJMT-FT56	2	6RW	1.00	5RW	1.00