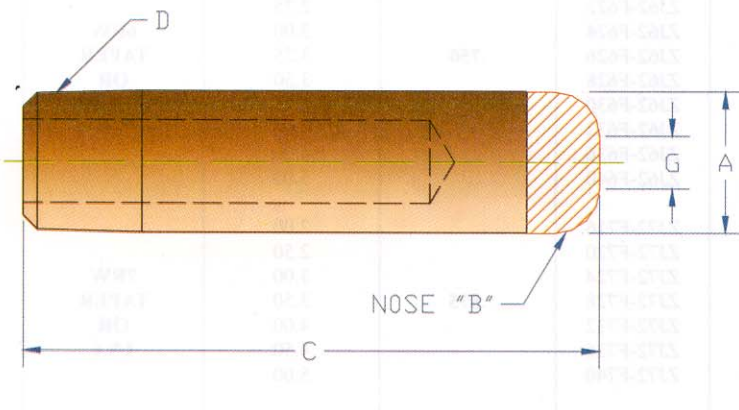


ADDITIONAL SIZES ALSO AVAILABLE UPON YOUR REQUEST

Item No.	A	C	D	G
ZJE4-C416	.500	2.00	4RW TAPER OR 1/9.6	/
ZJE4-C420		2.50		
ZJE4-C424		3.00		
ZJE4-C428		3.50		
ZJE4-C432		4.00		
ZJE5-C516	.625	2.00	5RW TAPER OR 1/9.6	/
ZJE5-C518		2.25		
ZJE5-C520		2.50		
ZJE5-C522		2.75		
ZJE5-C524		3.00		
ZJE5-C526		3.25		
ZJE5-C528		3.50		
ZJE5-C530		3.75		
ZJE5-C532		4.00		
ZJE5-C536		4.50		
ZJE5-C540	5.00			
ZJE6-C616	.750	2.00	6RW TAPER OR 1/9.6	/
ZJE6-C620		2.50		
ZJE6-C624		3.00		
ZJE6-C628		3.50		
ZJE6-C632		4.00		
ZJE6-C636		4.50		
ZJE6-C640		5.00		
ZJE7-C716	.875	2.00	7RW TAPER OR 1/9.6	/
ZJE7-C720		2.50		
ZJE7-C724		3.00		
ZJE7-C728		3.50		
ZJE7-C732		4.00		
ZJE7-C736		4.50		
ZJE7-C740		5.00		



ADDITIONAL SIZES ALSO AVAILABLE UPON YOUR REQUEST

Item No.	A	C	D	G
ZJE4-B416	.500	2.00	.4RW TAPER OR 1/9.6	.187
ZJE4-B418		2.25		
ZJE4-B420		2.50		
ZJE4-B422		2.75		
ZJE4-B424		3.00		
ZJE4-B426		3.25		
ZJE4-B428		3.50		
ZJE4-B430		3.75		
ZJE4-B432	4.00			
ZJE5-B416	.625	2.00	5RW TAPER OR 1/9.6	.250
ZJE5-B518		2.25		
ZJE5-B520		2.50		
ZJE5-B522		2.75		
ZJE5-B524		3.00		
ZJE5-B526		3.25		
ZJE5-B528		3.50		
ZJE5-B530		3.75		
ZJE5-B532		4.00		
ZJE5-B536		4.50		
ZJE5-B540	5.00			
ZJE6-B616	.750	2.00	6RW TAPER OR 1/9.6	.282
ZJE6-B620		2.50		
ZJE6-B624		3.00		
ZJE6-B628		3.50		
ZJE6-B632		4.00		
ZJE6-B636		4.50		
ZJE6-B640		5.00		
ZJE7-B716	.875	2.00	7RW TAPER OR 1/9.6	.312
ZJE7-B720		2.50		
ZJE7-B724		3.00		
ZJE7-B728		3.50		
ZJE7-B732		4.00		
ZJE7-B736		4.50		
ZJE7-B740		5.00		