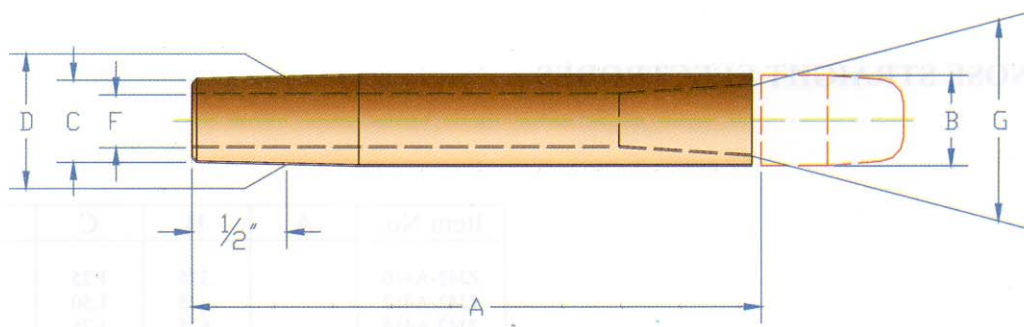


ADDITIONAL LENGTHS ARE AVAILABLE UPON REQUEST, WHEN ORDERING PLEASE SPECIFY BLIND OR THROUGH WATER HOLE.

Item No.	A	B	C	D	F	G
ZJ5010M	1.25					
ZJ5012M	1.50					
ZJ5014M	1.75					
ZJ5016M	2.00					
ZJ5018M	2.25					
ZJ5020M	2.50					
ZJ5022M	2.75					
ZJ5024M	3.00					
ZJ5026M	3.25	.482		#4RW OR 1/9.6	.28	.402 #4RW OR 1/9.6
ZJ5028M	3.50					
ZJ5030M	3.75					
ZJ5032M	4.00					
ZJ5034M	4.25					
ZJ5036M	4.50					
ZJ5038M	4.75					
ZJ5040M	5.00					
ZJ6212M	1.46					
ZJ6214M	1.71					
ZJ6216M	1.96					
ZJ6218M	2.21					
ZJ6220M	2.46					
ZJ6222M	2.71					
ZJ6224M	2.96					
ZJ6226M	3.21					
ZJ6228M	3.46			#5RW OR 1/9.6		.502 #5RW OR 1/9.6
ZJ6230M	3.71	.625			.31	
ZJ6232M	3.96					
ZJ6234M	4.21					
ZJ6236M	4.46					
ZJ6238M	4.71					
ZJ6240M	4.96					
ZJ6242M	5.21					
ZJ6244M	5.46					
ZJ7214M	1.75					
ZJ7216M	2.00					
ZJ7218M	2.25					
ZJ7220M	2.50					
ZJ7222M	2.75					
ZJ7224M	3.00			#6RW OR 1/9.6		
ZJ7226M	3.25					
ZJ7228M	3.50					
ZJ7230M	3.75					
ZJ7232M	4.00	.750			.38	.625 6RW OR 1/9.6
ZJ7234M	4.25					
ZJ7236M	4.50					
ZJ7238M	4.75					
ZJ7240M	5.00					
ZJ7242M	5.25					
ZJ7244M	5.50					
ZJ7246M	5.75					
ZJ7248M	6.00					
ZJ7250M	6.25					
ZJ7252M	6.50					

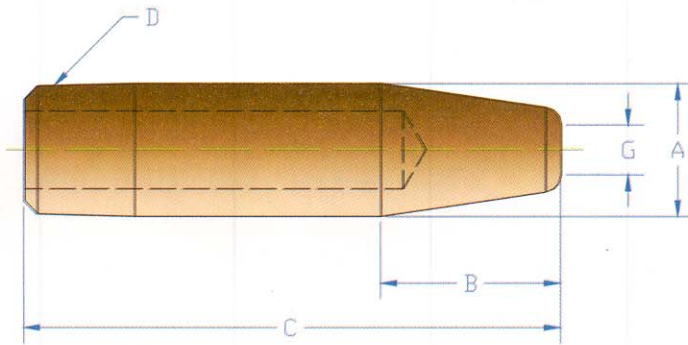
ADAPTERS WITH 1/9.6 TAPER ARE AVAILABLE IN ALL SIZES



ADDITIONAL LENGTHS ARE AVAILABLE UPON REQUEST, WHEN ORDERING PLEASE SPECIFY BLIND OR THROUGH WATER HOLE

Item No.	A	B	C	D	F	G
ZJ5010F	1.25					
ZJ5012F	1.50					
ZJ5014F	1.75					
ZJ5016F	2.00					
ZJ5018F	2.25					
ZJ5020F	2.50					
ZJ5022F	2.75					
ZJ5024F	3.00					
ZJ5026F	3.25	.482		#4RW OR 1/9.6	.28	.375 #4RW OR 1/9.6
ZJ5028F	3.50					
ZJ5030F	3.75					
ZJ5032F	4.00					
ZJ5034F	4.25					
ZJ5036F	4.50					
ZJ5038F	4.75					
ZJ5040F	5.00					
ZJ6210F	1.25					
ZJ6212F	1.50					
ZJ6214F	1.75					
ZJ6216F	2.00					
ZJ6218F	2.25					
ZJ6220F	2.50					
ZJ6222F	2.75					
ZJ6224F	3.00					
ZJ6226F	3.25	.625		#5RW OR 1/9.6	.31	.413 #5RW OR 1/9.6
ZJ6228F	3.50					
ZJ6230F	3.75					
ZJ6232F	4.00					
ZJ6234F	4.25					
ZJ6236F	4.50					
ZJ6238F	4.75					
ZJ6240F	5.00					
ZJ6242F	5.25					
ZJ6244F	5.50					
ZJ7212F	1.50					
ZJ7214F	1.75					
ZJ7216F	2.00					
ZJ7218F	2.25					
ZJ7220F	2.50					
ZJ7222F	2.75					
ZJ7224F	3.00					
ZJ7226F	3.25					
ZJ7228F	3.50	.750		#6RW OR 1/9.6	.38	.499 #6RW OR 1/9.6
ZJ7230F	3.75					
ZJ7232F	4.00					
ZJ7234F	4.25					
ZJ7236F	4.50					
ZJ7238F	4.75					
ZJ7240F	5.00					
ZJ7242F	5.25					
ZJ7244F	5.50					
ZJ7246F	5.75					
ZJ7248F	6.00					

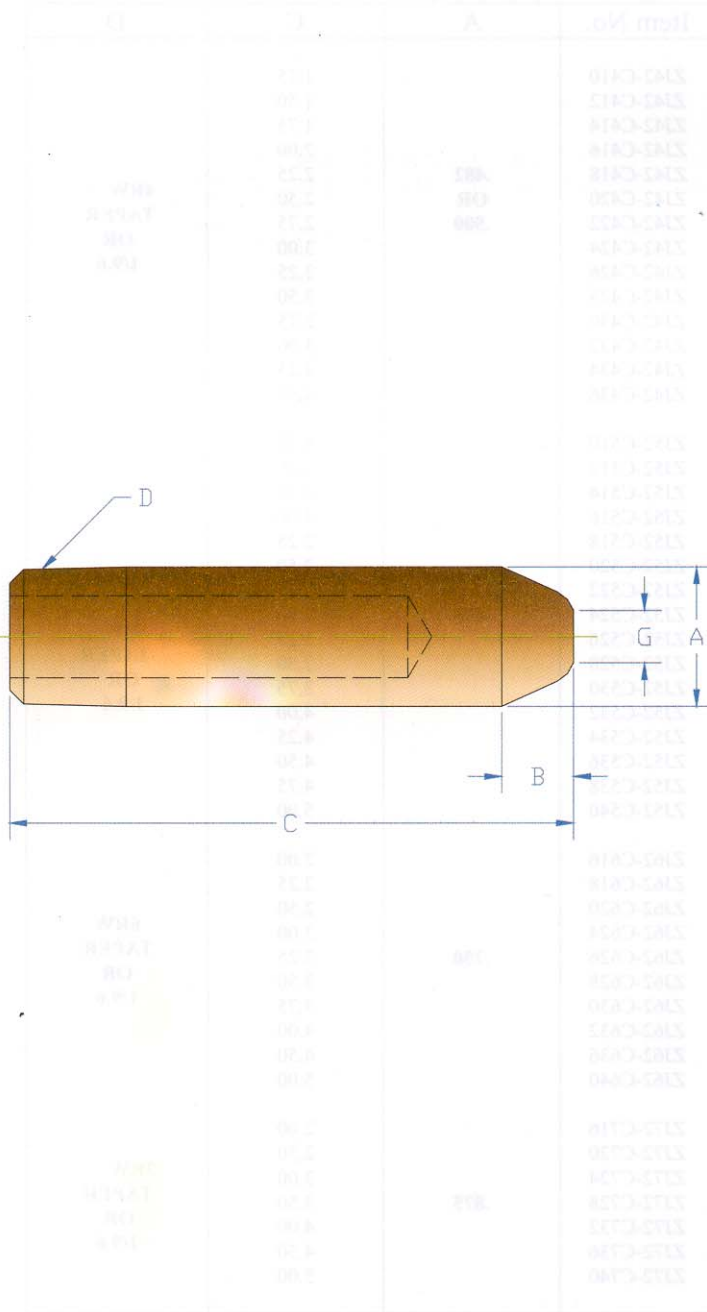
POINTED "A" NOSE STRAIGHT ELECTRODES



Item No.	A	B	C	D	G		
ZJ42-A410		.375	1.25				
ZJ42-A412		.375	1.50				
ZJ42-A414		.625	1.75				
ZJ42-A416		.625	2.00				
ZJ42-A418		.750	2.25				
ZJ42-A420	.482	.750	2.50	4RW TAPER OR 1/9.6	.187		
ZJ42-A422	OR	.750	2.75				
ZJ42-A424	.500	.750	3.00				
ZJ42-A426		.750	3.25				
ZJ42-A428		.750	3.50				
ZJ42-A430		.750	3.75				
ZJ42-A432		.750	4.00				
ZJ42-A434		.750	4.25				
ZJ42-A436		.750	4.50				
ZJ52-A510		.750	1.25				
ZJ52-A512		.750	1.50				
ZJ52-A514		.750	1.75				
ZJ52-A516		.750	2.00				
ZJ52-A518		1.00	2.25				
ZJ52-A520		1.00	2.50	5RW TAPER OR 1/9.6	.250		
ZJ52-A522	.625	1.00	2.75				
ZJ52-A524		1.00	3.00				
ZJ52-A526		1.00	3.25				
ZJ52-A528		1.00	3.50				
ZJ52-A530		1.00	3.75				
ZJ52-A532		1.00	4.00				
ZJ52-A534		1.00	4.25				
ZJ52-A536		1.00	4.50				
ZJ52-A538		1.00	4.75				
ZJ52-A540		1.00	5.00				
ZJ62-A616		1.00	2.00				
ZJ62-A618		1.00	2.25				
ZJ62-A620		1.00	2.50				
ZJ62-A622		1.12	2.75	6RW TAPER OR 1/9.6	.282		
ZJ62-A624	.750	1.12	3.00				
ZJ62-A626		1.12	3.25				
ZJ62-A628		1.12	3.50				
ZJ62-A630		1.12	3.75				
ZJ62-A632		1.12	4.00				
ZJ62-A636		1.12	4.50				
ZJ62-A640		1.12	5.00				
ZJ72-A716		1.12	2.00			7RW TAPER OR 1/9.6	.312
ZJ72-A720	.875	1.12	2.50				
ZJ72-A724		1.12	3.00				
ZJ72-A728		1.12	3.50				
ZJ72-A732		1.12	4.00				
ZJ72-A736		1.12	4.50				
ZJ72-A740		1.12	5.00				

ADDITIONAL SIZES AVAILABLE UPON YOUR REQUEST

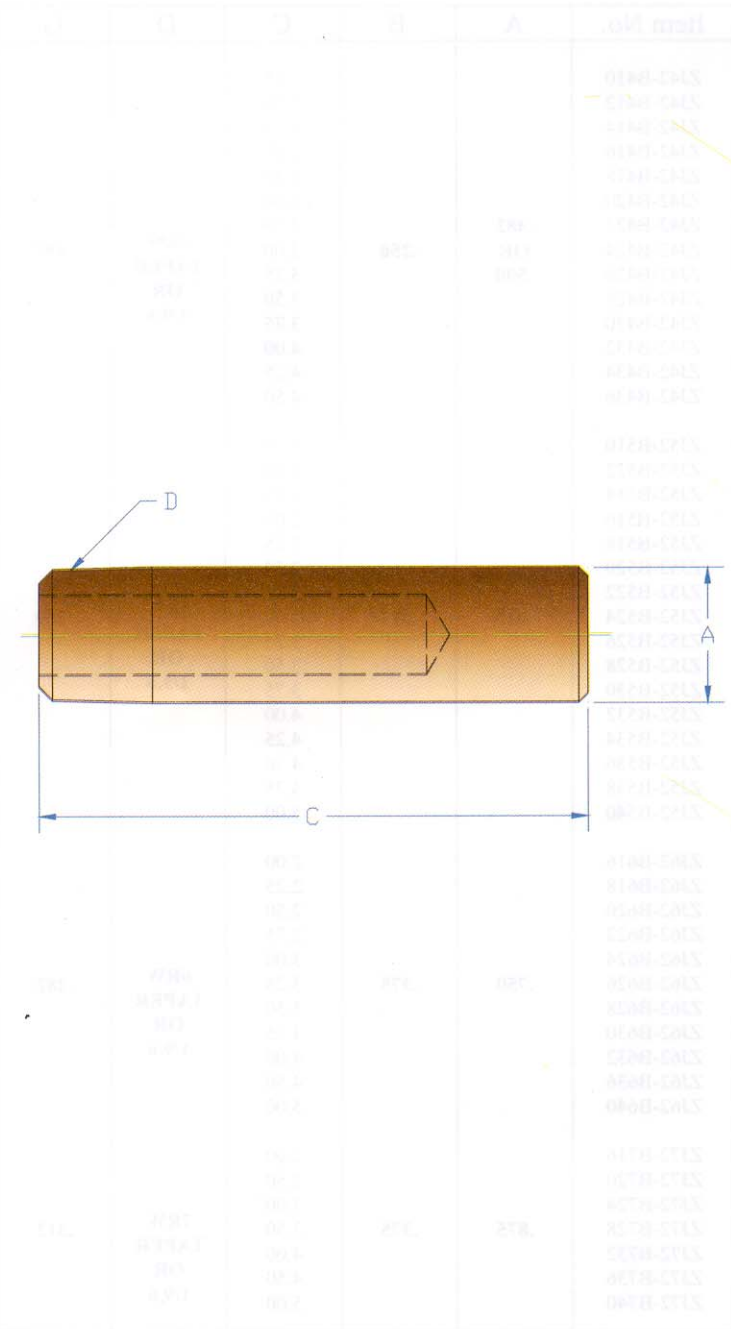
DOME "B" NOSE STRAIGHT ELECTRODES



Item No.	A	B	C	D	G
ZJ42-B410			1.25		
ZJ42-B412			1.50		
ZJ42-B414			1.75		
ZJ42-B416			2.00		
ZJ42-B418			2.25		
ZJ42-B420			2.50		
ZJ42-B422	.482	.250	2.75	4RW TAPER	.187
ZJ42-B424	OR		3.00	OR	
ZJ42-B426	.500		3.25	1/9.6	
ZJ42-B428			3.50		
ZJ42-B430			3.75		
ZJ42-B432			4.00		
ZJ42-B434			4.25		
ZJ42-B436			4.50		
ZJ52-B510			1.25		
ZJ52-B512			1.50		
ZJ52-B514			1.75		
ZJ52-B516			2.00		
ZJ52-B518			2.25		
ZJ52-B520			2.50		
ZJ52-B522	.625	.312	2.75	5RW TAPER	.250
ZJ52-B524			3.00	OR	
ZJ52-B526			3.25	1/9.6	
ZJ52-B528			3.50		
ZJ52-B530			3.75		
ZJ52-B532			4.00		
ZJ52-B534			4.25		
ZJ52-B536			4.50		
ZJ52-B538			4.75		
ZJ52-B540			5.00		
ZJ62-B616			2.00		
ZJ62-B618			2.25		
ZJ62-B620			2.50		
ZJ62-B622			2.75		
ZJ62-B624	.750	.375	3.00	6RW TAPER	.282
ZJ62-B626			3.25	OR	
ZJ62-B628			3.50	1/9.6	
ZJ62-B630			3.75		
ZJ62-B632			4.00		
ZJ62-B636			4.50		
ZJ62-B640			5.00		
ZJ72-B716			2.00		
ZJ72-B720			2.50		
ZJ72-B724			3.00		
ZJ72-B728	.875	.375	3.50	7RW TAPER	.312
ZJ72-B732			4.00	OR	
ZJ72-B736			4.50	1/9.6	
ZJ72-B740			5.00		

ADDITIONAL SIZES AVAILABLE UPON YOUR REQUEST

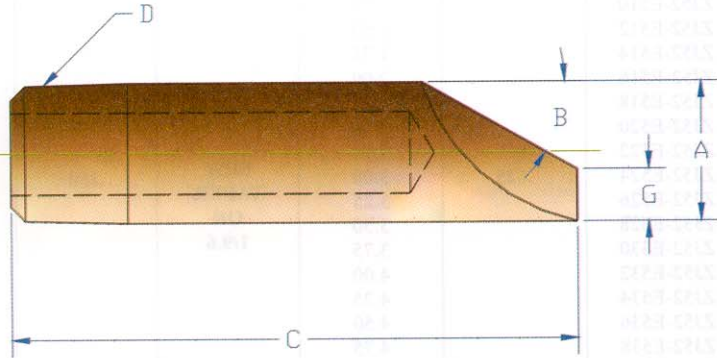
FLAT "C" NOSE STRAIGHT ELECTRODES



Item No.	A	C	D
ZJ42-C410		1.25	
ZJ42-C412		1.50	
ZJ42-C414		1.75	
ZJ42-C416		2.00	
ZJ42-C418	.482	2.25	4RW TAPER OR 1/9.6
ZJ42-C420	OR	2.50	
ZJ42-C422	.500	2.75	
ZJ42-C424		3.00	
ZJ42-C426		3.25	
ZJ42-C428		3.50	
ZJ42-C430		3.75	
ZJ42-C432		4.00	
ZJ42-C434		4.25	
ZJ42-C436		4.50	
ZJ52-C510		1.25	
ZJ52-C512		1.50	
ZJ52-C514		1.75	
ZJ52-C516		2.00	
ZJ52-C518		2.25	
ZJ52-C520		2.50	
ZJ52-C522	.625	2.75	5RW TAPER OR 1/9.6
ZJ52-C524		3.00	
ZJ52-C526		3.25	
ZJ52-C528		3.50	
ZJ52-C530		3.75	
ZJ52-C532		4.00	
ZJ52-C534		4.25	
ZJ52-C536		4.50	
ZJ52-C538		4.75	
ZJ52-C540		5.00	
ZJ62-C616		2.00	
ZJ62-C618		2.25	
ZJ62-C620		2.50	
ZJ62-C624	.750	3.00	6RW TAPER OR 1/9.6
ZJ62-C626		3.25	
ZJ62-C628		3.50	
ZJ62-C630		3.75	
ZJ62-C632		4.00	
ZJ62-C636		4.50	
ZJ62-C640		5.00	
ZJ72-C716		2.00	
ZJ72-C720		2.50	
ZJ72-C724		3.00	
ZJ72-C728	.875	3.50	7RW TAPER OR 1/9.6
ZJ72-C732		4.00	
ZJ72-C736		4.50	
ZJ72-C740		5.00	

ADDITIONAL SIZES AVAILABLE UPON YOUR REQUEST

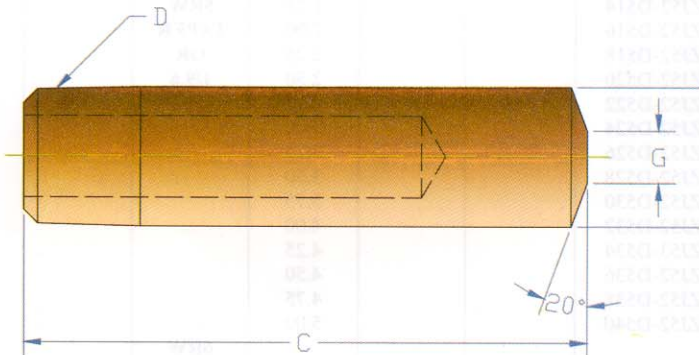
OFFSET "D" NOSE STRAIGHT ELECTRODES



Item No.	A	B	C	D	G
ZJ42-D410			1.25		
ZJ42-D412			1.50		
ZJ42-D414			1.75		
ZJ42-D416			2.00		
ZJ42-D418			2.25		
ZJ42-D420			2.50		
ZJ42-D422	.482		2.75		
ZJ42-D424	OR	30	3.00	4RW	.187
ZJ42-D426	.500		3.25	TAPER	
ZJ42-D428			3.50	OR	
ZJ42-D430			3.75	1/9.6	
ZJ42-D432			4.00		
ZJ42-D434			4.25		
ZJ42-D436			4.50		
ZJ52-D510			1.25		
ZJ52-D512			1.50		
ZJ52-D514			1.75		
ZJ52-D516			2.00	5RW	
ZJ52-D518			2.25	TAPER	
ZJ52-D520			2.50	OR	
ZJ52-D522	.625	30	2.75	1/9.6	.250
ZJ52-D524			3.00		
ZJ52-D526			3.25		
ZJ52-D528			3.50		
ZJ52-D530			3.75		
ZJ52-D532			4.00		
ZJ53-D534			4.25		
ZJ52-D536			4.50		
ZJ52-D538			4.75		
ZJ52-D540			5.00		
ZJ62-D616			2.00	6RW	
ZJ62-D620			2.50	TAPER	
ZJ62-D624			3.00	OR	
ZJ62-D628	.750	30	3.50	1/9.6	.282
ZJ62-D632			4.00		
ZJ62-D636			4.50		
ZJ62-D640			5.00		
ZJ72-D716			2.00	7RW	
ZJ72-D720			2.50	TAPER	
ZJ72-D724			3.00	OR	
ZJ72-D728	.875	30	3.50	1/9.6	.312
ZJ72-D732			4.00		
ZJ72-D736			4.50		
ZJ72-D740			5.00		

ADDITIONAL SIZES AVAILABLE UPON YOUR REQUEST

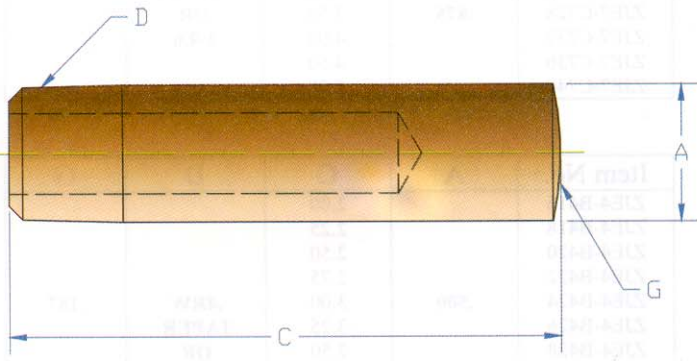
TRUNCATED "E" NOSE STRAIGHT ELECTRODES



Item No.	A	C	D	G
ZJ42-E410	.482 OR .500	1.25	4RW TAPER OR 1/9.6	.187
ZJ42-E412		1.50		
ZJ42-E414		1.75		
ZJ42-E416		2.00		
ZJ42-E418		2.25		
ZJ42-E420		2.50		
ZJ42-E422		2.75		
ZJ42-E424		3.00		
ZJ42-E426		3.25		
ZJ42-E428		3.50		
ZJ42-E430		3.75		
ZJ42-E432		4.00		
ZJ42-E434		4.25		
ZJ42-E436		4.50		
ZJ52-E510	.625	1.25	5RW TAPER OR 1/9.6	.250
ZJ52-E512		1.50		
ZJ52-E514		1.75		
ZJ52-E516		2.00		
ZJ52-E518		2.25		
ZJ52-E520		2.50		
ZJ52-E522		2.75		
ZJ52-E524		3.00		
ZJ52-E526		3.25		
ZJ52-E528		3.50		
ZJ52-E530		3.75		
ZJ52-E532		4.00		
ZJ52-E534		4.25		
ZJ52-E536		4.50		
ZJ52-E538	4.75			
ZJ52-E540	5.00			
ZJ62-E616	.750	2.00	6RW TAPER OR 1/9.6	.282
ZJ62-E618		2.25		
ZJ62-E620		2.50		
ZJ62-E622		2.75		
ZJ62-E624		3.00		
ZJ62-E626		3.25		
ZJ62-E628		3.50		
ZJ62-E630		3.75		
ZJ62-E632		4.00		
ZJ62-E636		4.50		
ZJ62-E640	5.00			
ZJ72-E716	.875	2.00	7RW TAPER OR 1/9.6	.312
ZJ72-E720		2.50		
ZJ72-E724		3.00		
ZJ72-E728		3.50		
ZJ72-E732		4.00		
ZJ72-E736		4.50		
ZJ72-E740		5.00		

ADDITIONAL SIZES AVAILABLE UPON YOUR REQUEST

RADIUS "F" NOSE STRAIGHT ELECTRODES



Item No.	A	C	D
ZJ42-F410		1.25	
ZJ42-F412		1.50	
ZJ42-F414		1.75	
ZJ42-F416		2.00	
ZJ42-F418		2.25	
ZJ42-F420		2.50	
ZJ42-F422	.482 OR .500	2.75	4RW TAPER OR 1/9.6
ZJ42-F424		3.00	
ZJ42-F426		3.25	
ZJ42-F428		3.50	
ZJ42-F430		3.75	
ZJ42-F432		4.00	
ZJ42-F434		4.25	
ZJ42-F436		4.50	
ZJ52-F510		1.25	
ZJ52-F512		1.50	
ZJ52-F514		1.75	
ZJ52-F516		2.00	
ZJ52-F518		2.25	
ZJ52-F520		2.50	
ZJ52-F522	.625	2.75	5RW TAPER OR 1/9.6
ZJ52-F524		3.00	
ZJ52-F526		3.25	
ZJ52-F528		3.50	
ZJ52-F530		3.75	
ZJ52-F532		4.00	
ZJ52-F534		4.25	
ZJ52-F536		4.50	
ZJ52-F538		4.75	
ZJ52-F540		5.00	
ZJ62-F616		2.00	
ZJ62-F618		2.25	
ZJ62-F620		2.50	
ZJ62-F622		2.75	
ZJ62-F624	.750	3.00	6RW TAPER OR 1/9.6
ZJ62-F626		3.25	
ZJ62-F628		3.50	
ZJ62-F630		3.75	
ZJ62-F632		4.00	
ZJ62-F636		4.50	
ZJ62-F640		5.00	
ZJ72-F716		2.00	
ZJ72-F720		2.50	
ZJ72-F724	.875	3.00	7RW TAPER OR 1/9.6
ZJ72-F728		3.50	
ZJ72-F732		4.00	
ZJ72-F736		4.50	
ZJ72-F740		5.00	

ADDITIONAL SIZES AVAILABLE UPON YOUR REQUEST